

Product data sheet

Characteristics

XUYPSCO989SP

Photoelectric sensors XU, XUY 989, BGS, Sn
0.08 m, 12...24 VDC, M8

Product availability: Non-Stock - Not normally stocked in distribution facility

Price*: 550.00 USD



Main

Range of Product	Telemecanique Photoelectric sensors XU
Series name	Application
Electronic sensor type	Photo-electric sensor
Sensor name	XUY
Sensor design	Miniature
Detection system	Diffuse with background suppression
Material	Plastic
Type of output signal	Discrete
Supply circuit type	DC
Wiring Technique	4-wire
Discrete output type	PNP
Discrete output function	1 NO or 1 NC programmable
Electrical connection	1 male connector M8, 4 pins
Product Specific Application	Conveyor system and access control series
Emission	Red LED, pulsed
[Sn] nominal sensing distance	3.28 Ft (1 m) polarised reflex 13.12 Ft (4 m) thru beam 0.26 Ft (0.08 m) diffuse with background suppression 0.82 Ft (0.25 m) diffuse with adjustable sensitivity

Complementary

Enclosure Material	ABS
Lens material	PMMA
Cover Material	PUR
Pulse frequency	6 KHz
Output Type	Solid state
[Us] rated supply voltage	12...24 V DC reverse polarity protection
Supply voltage limits	10...30 V DC
Switching capacity in mA	100 mA (overload and short-circuit protection)
Switching frequency	500 Hz
Maximum voltage drop	<2 V 100 mA closed state) <1 V 10 mA closed state)

Current consumption	< 25 mA no-load
Maximum delay response	1 Ms
Net Weight	0.10 Lb(US) (0.044 kg)

Environment

Product Certifications	CE CULus
Ambient Air Temperature for Operation	32...122 °F (0...50 °C)
Ambient Air Temperature for Storage	-4...176 °F (-20...80 °C)
IP degree of protection	IP65 conforming to IEC 60529 IP67 conforming to IEC 60529

Ordering and shipping details

Category	22481 - SENSORS, PHOTOELECTRIC
Discount Schedule	DS2
GTIN	03389119007221
Nbr. of units in pkg.	1
Package weight(Lbs)	1.41 Oz (40 g)
Returnability	No
Country of origin	FR

Packing Units

Unit Type of Package 1	PCE
Package 1 Height	1.34 In (3.4 cm)
Package 1 width	4.96 In (12.6 cm)
Package 1 Length	2.91 In (7.4 cm)
Unit Type of Package 2	S02
Number of Units in Package 2	35
Package 2 Weight	3.92 Lb(US) (1.776 kg)
Package 2 Height	5.91 In (15 cm)
Package 2 width	11.81 In (30 cm)
Package 2 Length	15.75 In (40 cm)

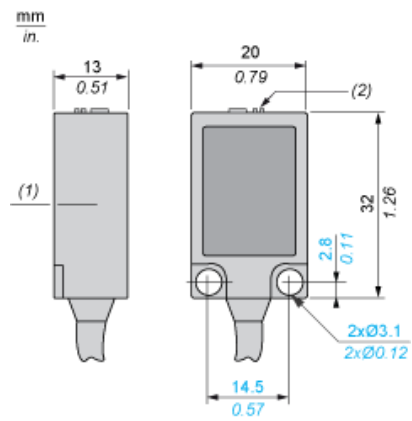
Offer Sustainability

California proposition 65	WARNING: This product can expose you to chemicals including: Diisononyl phthalate (DINP), which is known to the State of California to cause cancer, and Diisodecyl phthalate (DIDP), which is known to the State of California to cause birth defects or other reproductive harm. For more information go to www.P65Warnings.ca.gov
REACH Regulation	REACH Declaration
EU RoHS Directive	Pro-active compliance (Product out of EU RoHS legal scope) EU RoHS Declaration
Mercury free	Yes
RoHS exemption information	Yes

Contractual warranty

Warranty	18 months
----------	-----------

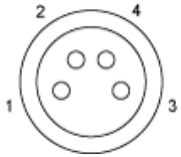
Dimensions



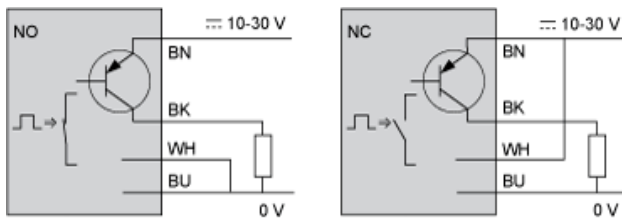
- (1) Optical axis
- (2) Accuracy adjustment

Connections and Schemes

M8



PNP Output



- 1/BN Brown
- 2/WH White
- 3/BU Blue
- 4/BK Black

Product Life Status : **Commercialised**